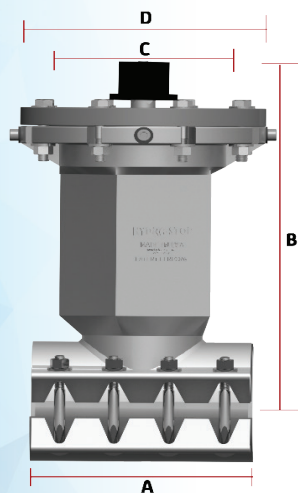
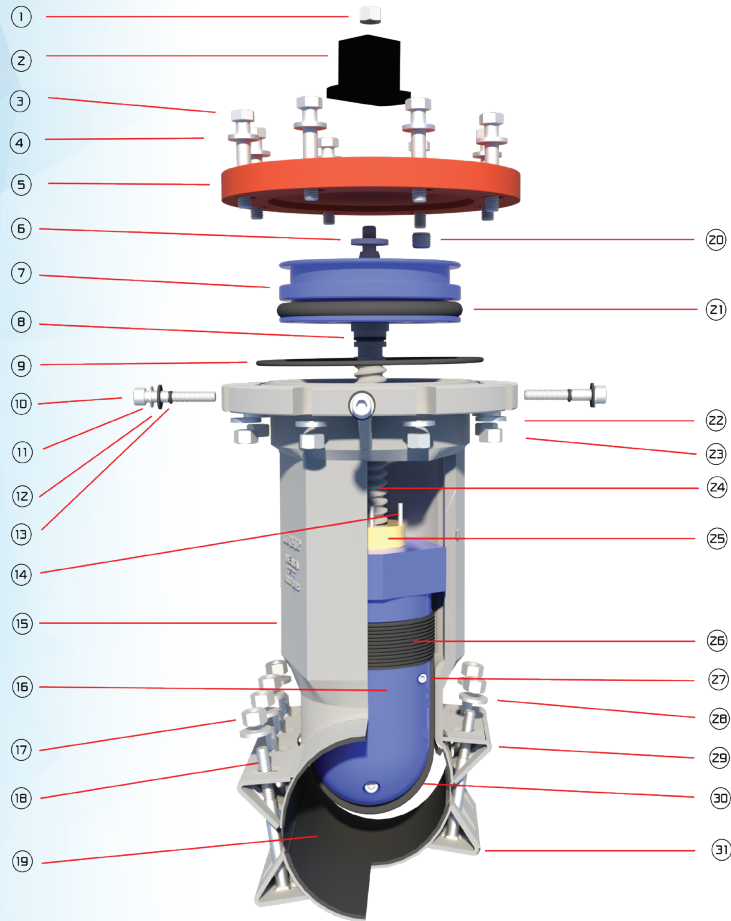


PRODUCT CUT SHEET

4"–12" Insta-Valve 250 — Non-AIS Compliant



Weights and Dims					
Size	A	B	C	D	Approx. Weight
4"	12"	18.6"	8.4"	13.5"	138 lbs.
6"	12"	21.5"	8.4"	13.5"	173 lbs.
8"	16"	24.6"	8.4"	13.5"	229 lbs.
10"	24"	30"	17"	19"	370 lbs.
12"	24"	33"	17"	19"	425 lbs.

C DIM=CASTING I.D.

Other Specifications	
Valve Body Minimum Test Pressure: 1.5 times system working pressure	
Valve Body Maximum Test Pressure: 375 psi Maximum Working Pressure: 250 psi	
The 4"–12" Insta-Valve 250 is NSF/ANSI Standard 61 and NSF/ANSI Standard 372 to meet the regulatory requirements for the U.S. and Canada, assuring safe use in drinking water systems.	

INSTA-VALVE 250 ASSEMBLY

ITEM	DESCRIPTION	MATERIAL	QTY
1	OPERATING NUT ATTACHING NUT	304 STAINLESS STEEL*	1
2	OPERATING NUT	STEEL, CAST	1
3	BONNET BOLTS 4"–8"	304 STAINLESS STEEL*	8
	BONNET BOLTS 10"–12"	304 STAINLESS STEEL*	12
4	BONNET WASHERS 4"–8"	304 STAINLESS STEEL	16
	BONNET WASHERS 10"–12"	304 STAINLESS STEEL	24
5	BONNET	EPOXY COATED CARBON STEEL	1
6	THRUST WASHER	TEFLON	1
7	COMPLETION PLUG	REINFORCED COMPOSITE POLYMER	1
8	VALVE STEM O-RING	RUBBER, BUNA-N	1
9	FLANGE O-RING 4"–12"	RUBBER, BUNA-N	1
10	COMPLETION PIN 4"–8"	304 STAINLESS STEEL*	4
	COMPLETION PIN 10"–12"	304 STAINLESS STEEL*	6
11	COMPLETION PIN WASHER 4"–8"	304 STAINLESS STEEL	4
	COMPLETION PIN WASHER 10"–12"	304 STAINLESS STEEL	6
12	COMPLETION PIN WASHER 4"–8"	RUBBER, BUNA-N	4
	COMPLETION PIN WASHER 10"–12"	RUBBER, BUNA-N	6
13	COMPLETION PIN O-RING 4"–8"	RUBBER, BUNA-N	4
	COMPLETION PIN O-RING 10"–12"	RUBBER, BUNA-N	6
14	VALVE PIN 4"–12"	STAINLESS STEEL	4
15	IV 250 VALVE BODY	304 STAINLESS STEEL	1
16	IV 250 CARTRIDGE	REINFORCED COMPOSITE POLYMER	1
17	BODY MOUNT NUTS 4"–6"	304 STAINLESS STEEL*	8
	BODY MOUNT NUTS 8"	304 STAINLESS STEEL*	10
	BODY MOUNT NUTS 10"–12"	304 STAINLESS STEEL*	14
18	BODY MOUNT CARRIAGE BOLTS 4"–6"	304 STAINLESS STEEL*	8
	BODY MOUNT CARRIAGE BOLTS 8"	304 STAINLESS STEEL*	10
	BODY MOUNT CARRIAGE BOLTS 10"–12"	304 STAINLESS STEEL*	14
19	BODY SEALING GASKET	RUBBER, BUNA-N	1
20	CHECK VALVE NPT PLUG	304 STAINLESS STEEL	1
21	COMPLETION PLUG O-RING	RUBBER, BUNA-N	1
22	BONNET WASHERS 4"–8"	304 STAINLESS STEEL	8
	BONNET WASHERS 10"–12"	304 STAINLESS STEEL	12
23	BONNET NUTS 4"–8"	304 STAINLESS STEEL*	8
	BONNET NUTS 10"–12"	304 STAINLESS STEEL*	12
24	VALVE STEM	304 STAINLESS STEEL	1
25	STEM COLLAR	NO LEAD BRASS	1
26	CARTRIDGE SEAL	EPDM	1
27	WEDGE BOLT	STAINLESS STEEL 18-8	1
28	BODY MOUNT WASHERS 4"–6"	304 STAINLESS STEEL	8
	BODY MOUNT WASHERS 8"	304 STAINLESS STEEL	10
	BODY MOUNT WASHERS 10"–12"	304 STAINLESS STEEL	14
29	MOUNTING BODY — TOP	304 STAINLESS STEEL	1
30	RESILIENT WEDGE	EPDM	1
31	MOUNTING BODY — BOTTOM	304 STAINLESS STEEL	1

* Coated to prevent galling.

Proprietary Information: This property of Hydra-Stop shall not be used, reproduced, or distributed without written consent. All design and invention rights are reserved. Covered by United States Patent No. 9,829,141,B2 and United States Patent No. 9,644,779,B2. Additional patents pending. Specifications subject to change without notice.
Publication Date: March 2021