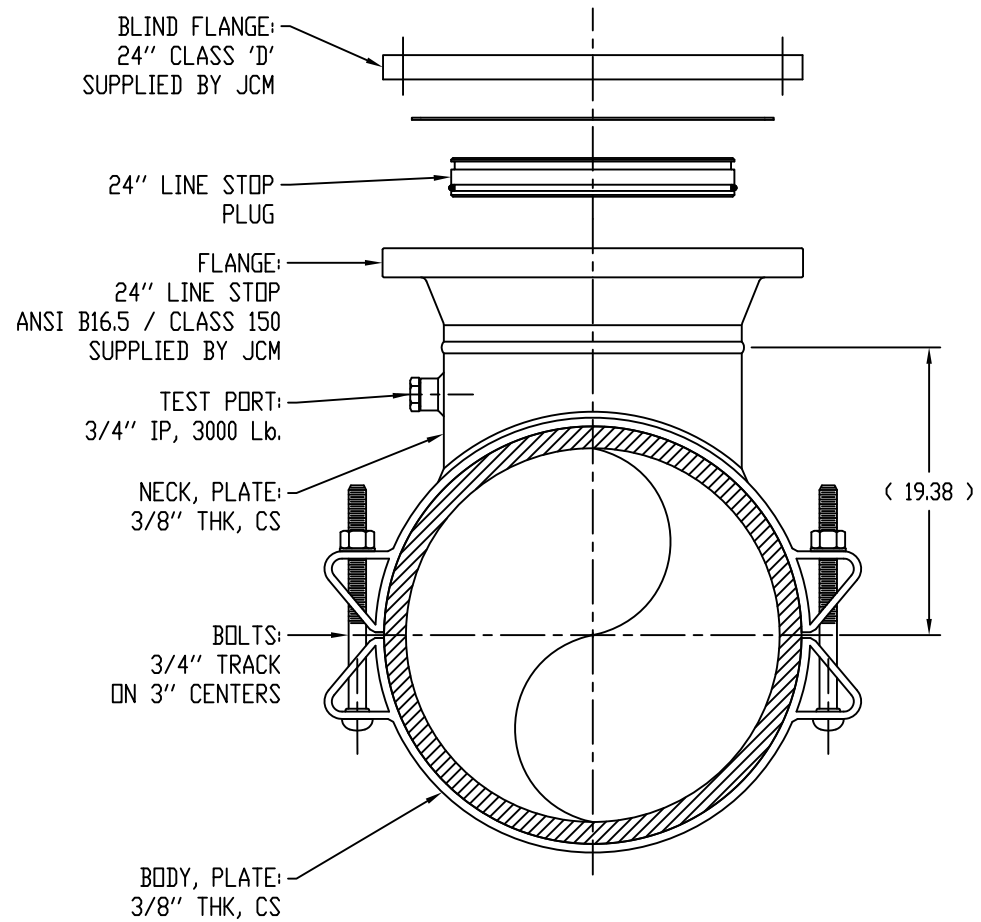


SECTION



END VIEW

NOTES:

1. DESIGN & FAB. PER AWWA C-223
2. WORKING PRESSURE: 150 PSI
3. FINISH: FUSION EPOXY COAT
4. FASTENERS: 304 SS

THIS DRAWING INCLUDING ALL NOVEL AND PATENTED OR PATENTABLE SUBJECT MATTER EMBODIES CONFIDENTIAL INFORMATION OF JCM INDUSTRIES, INC. AND IS LOANED WITH THE UNDERSTANDING THAT IT WILL NOT BE REPRODUCED NOR BE USED FOR ANY PURPOSE EXCEPT FOR WHICH LOANED UNLESS WRITTEN PERMISSION IS GRANTED BY THE OWNER AND THAT IT SHALL BE RETURNED UPON DEMAND.

						440-30", 36" & 42" x24" T12 ESS FLANGED OUTLET TAPPING SLEEVE - LINE STOP ACCURACY					
				<small>UNLESS OTHERWISE SPECIFIED</small> <small>FRACTIONS DECIMALS ANGLES</small>		<small>DRAWN BY</small> RTM		<small>CHECKED BY</small> -----		<small>APVD. BY</small> -----	
				<small>DATE</small> 01-02-14		<small>NO. SHEETS</small> 1 of 1		<small>SCALE</small> -----		<small>DWG. NO.</small> GEN-009698	
<small>REVISIONS</small>				<small>DATE</small>		<small>S</small>		<small>BY</small>		<small>APVD.</small>	
				48595 West Road Wixom, MI 48393		<small>± 1/4"</small>		<small>.125</small>		<small>2°</small>	
										<small>PART NO.</small> -----	
										<small>REV.</small> ---	